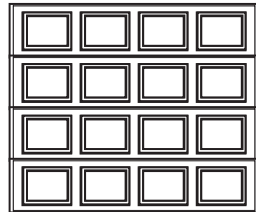
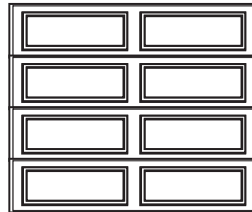


Garage Door Specifications

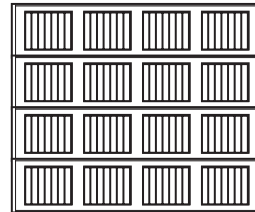
Coach House Accents® Signature Décor Window will fit on most Standard Raised-Panel, Flat Panel, and Entry-Level steel carriage house-style doors. This includes "Short Panels" and "Long Panels."



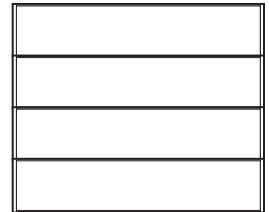
Short Raised Panel



Long Raised Panel

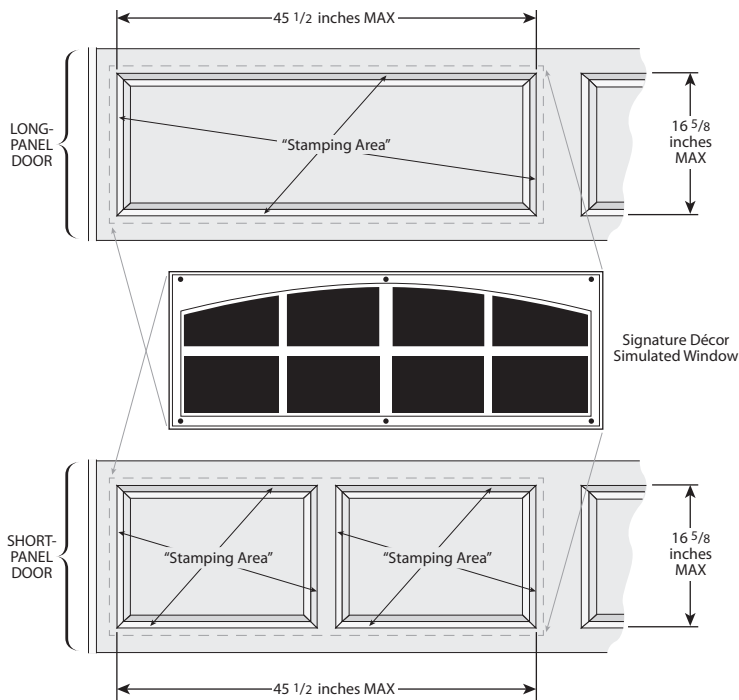


Vertical Ribs



Flat Panel

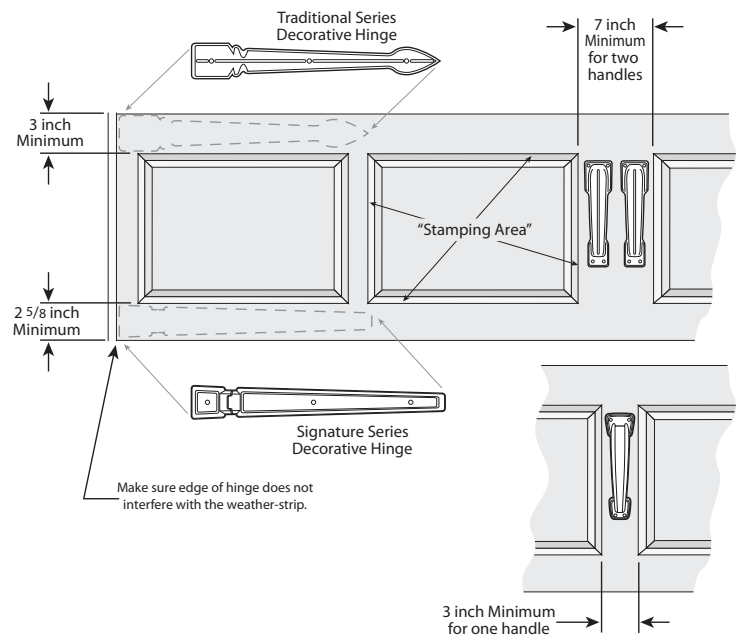
Measuring for Window Installation:



- Measure to the outer edges of the stamping area(s).
- Full width cannot exceed 45 1/2 inches
- Full height cannot exceed 16 5/8 inches

- For 1-car garage door, use one kit (2 windows)
- For 2-car garage door, use 2 kits (4 windows)

Measuring for Hinge & Handle Installation:



- Measure to the outer edge of the stamping area.
- Always measure with the door fully closed. Be sure hinges do not interfere with the weather stripping at the edge of the door.

For complete installation instructions, visit our website at www.coachhouseaccents.com where you can download instructions and watch our installation video.

NOTE: ALWAYS MEASURE YOUR DOOR PANEL TO BE SURE!

Manufacturers may change stamping sizes due to model and design changes. Coach House Accents® cannot be responsible for these changes. Signature Décor simulated windows are 45 1/2 inches wide x 16 5/8 inches tall.